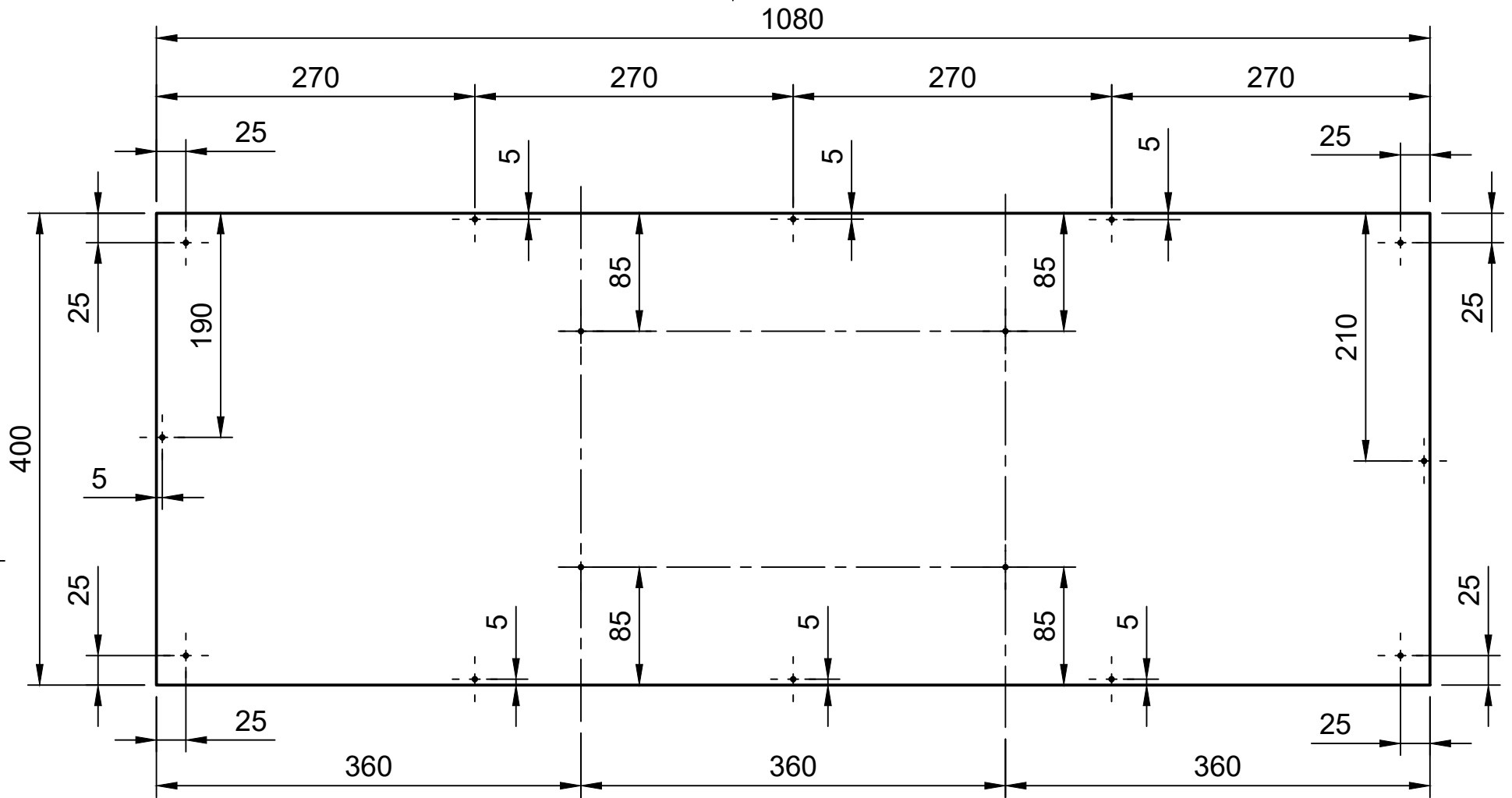


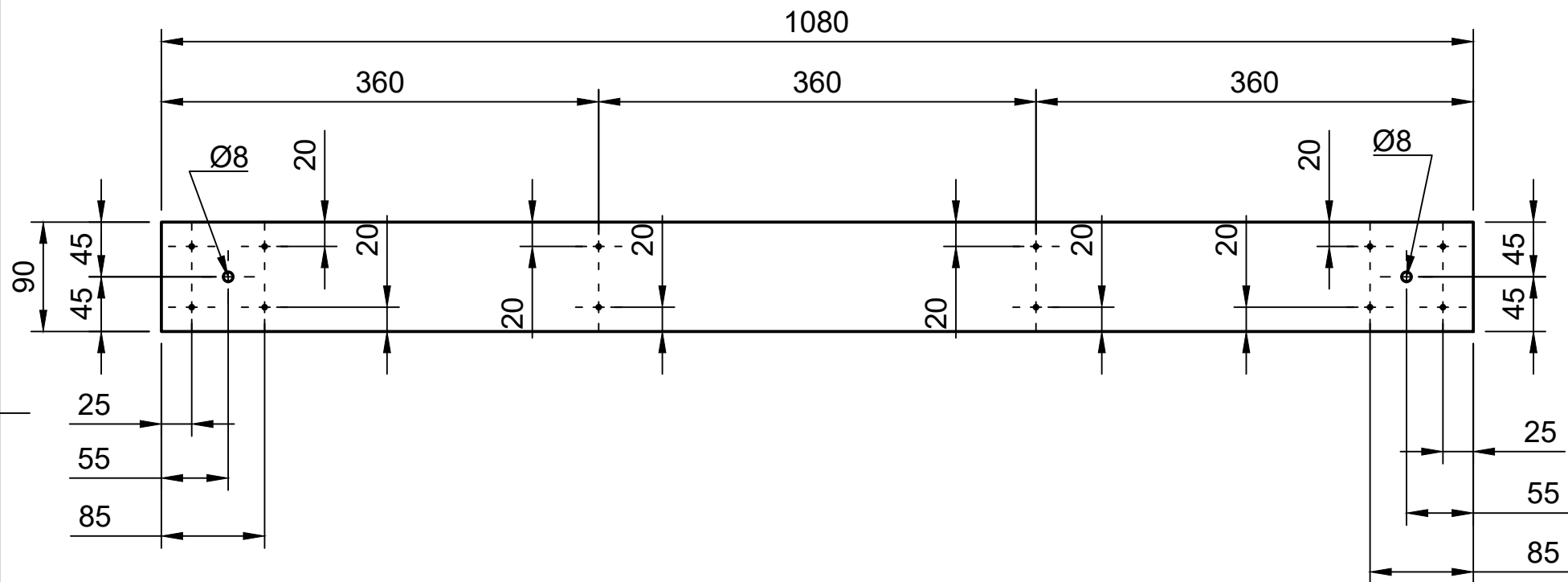
Dept.	Technical reference	Created by Jordi Tarrada 21/06/2018	Approved by	
Conjunt muntat		Document type	Document status	
		Title Mòdul 1080	DWG No.	
		Rev.	Date of issue	Sheet 1/8



Tots els forats Ø3.5

Material: tauler contraxapat 10 mm
Quantitat: 1

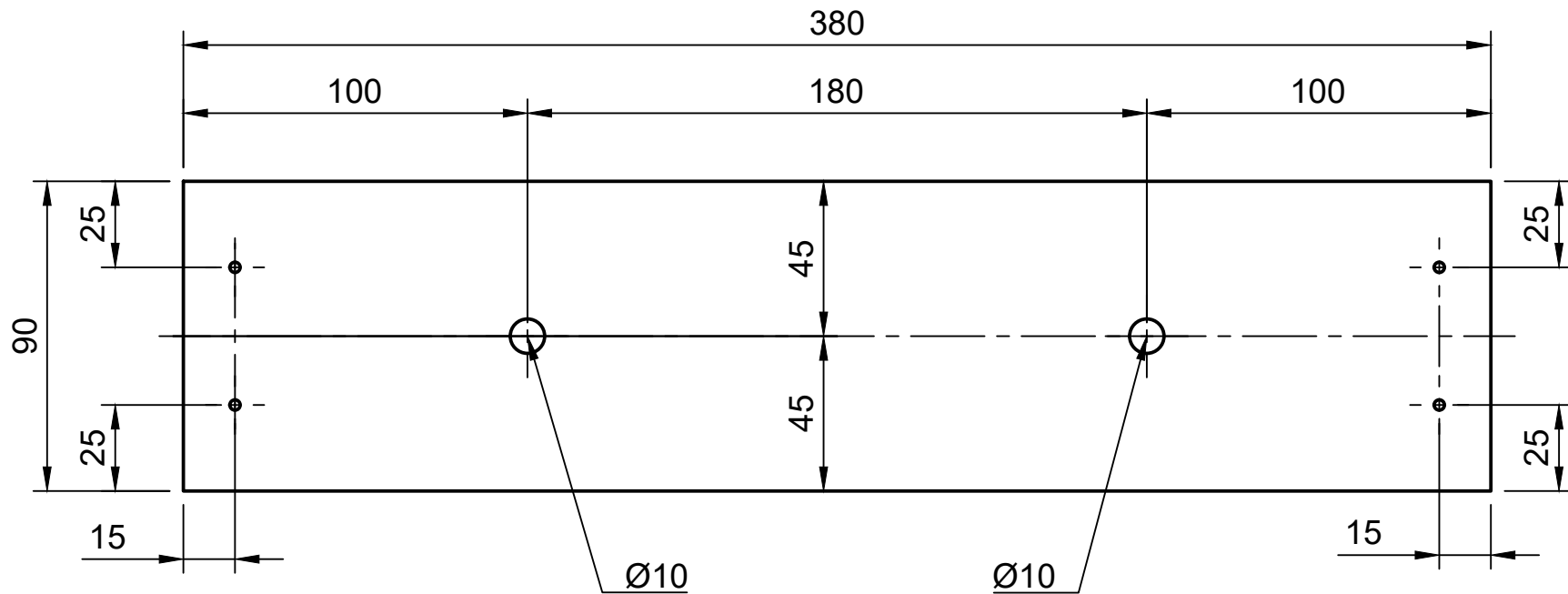
Dept.	Technical reference	Created by Jordi Tarrada 21/06/2018	Approved by
A	Superfície muntatge vies	Document type	Document status
		Title Modul 1080	DWG No.
		Rev.	Date of issue



Tots els forats Ø3.5
 Excepte els indicats.

Material: tauler contraxapat 10 mm
Quantitat: 2

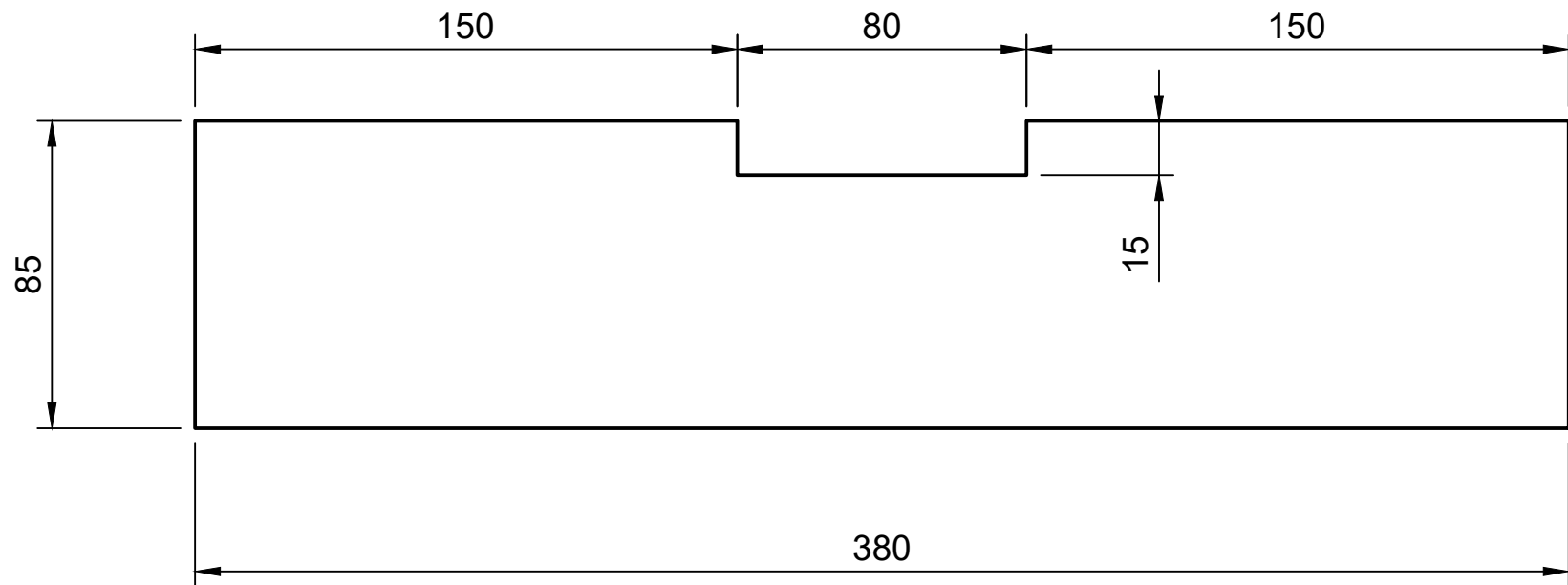
Dept.	Technical reference	Created by Jordi Tarrada 21/06/2018	Approved by
Lateral Nord-Sud		Document type	Document status
		Title Mòdul 1080	DWG No.
B		Rev.	Date of issue
		Sheet 3/8	



Tots els forats $\varnothing 3.5$
 Excepte els indicats.

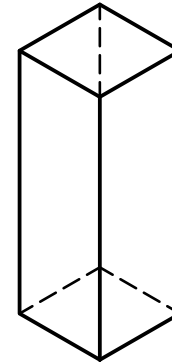
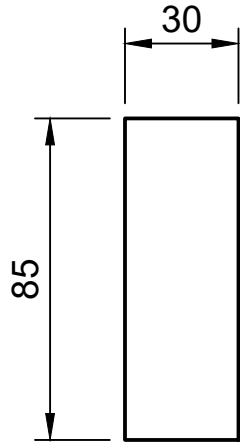
Material: tauler contraxapat 10 mm
Quantitat: 2

Dept.	Technical reference	Created by Jordi Tarrada 21/06/2018	Approved by	
Lateral Est-Oest C		Document type	Document status	
		Title Mòdul 1080	DWG No.	
Rev.	Date of issue	Sheet 4/8		



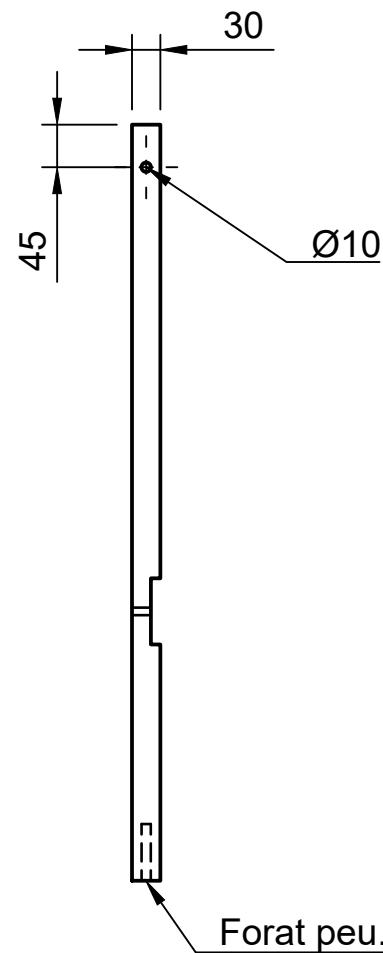
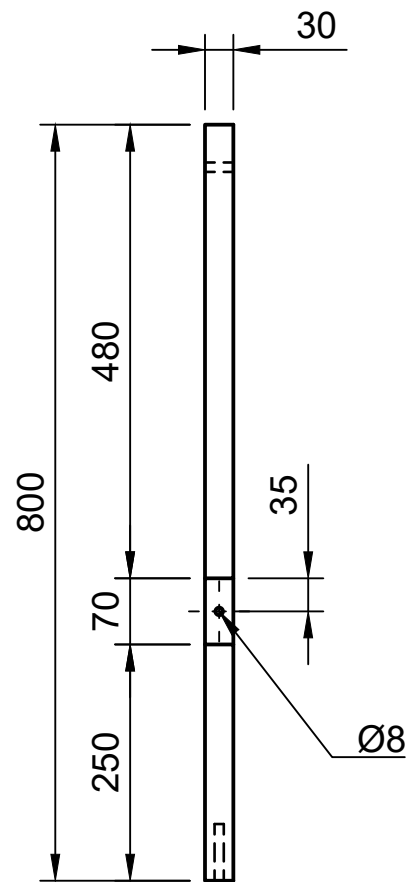
Material: tauler contraxapat 10 mm
Quantitat: 2

Dept.	Technical reference	Created by Jordi Tarrada 21/06/2018	Approved by	
D		Document type	Document status	
		Title Mòdul 1080	DWG No.	
		Rev.	Date of issue	Sheet 5/8



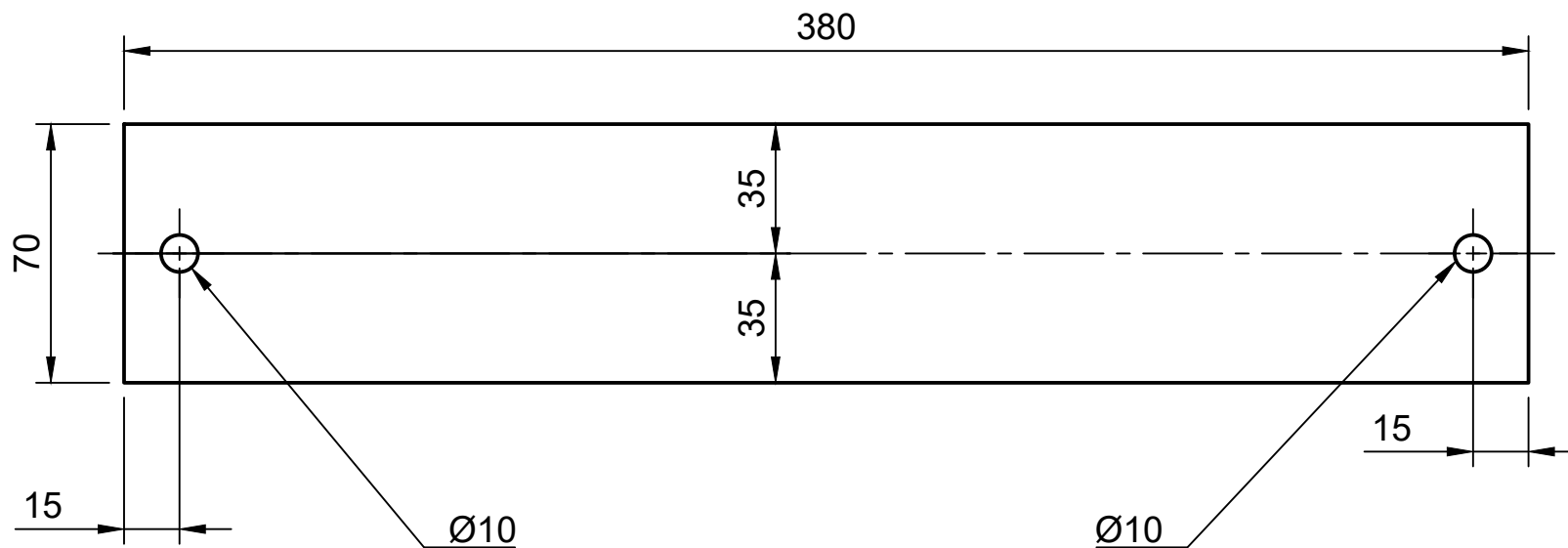
Material: llistó 30 x 30 mm
Quantitat: 8

Dept.	Technical reference	Created by Jordi Tarrada 21/06/2018	Approved by	
Reforç aresta caixa i guia pota E	Document type	Document status		
	Title Mòdul 1080	DWG No.		
	Rev.	Date of issue	Sheet 6/8	



Material: llistó 30 x 30 mm
Quantitat: 4

Dept.	Technical reference	Created by Jordi Tarrada 21/06/2018	Approved by	
Pota F		Document type	Document status	
		Title Mòdul 1080	DWG No.	
Rev.	Date of issue	Sheet 7/8		



Material: tauler contraxapat 10 mm
Quantitat: 2

Dept.	Technical reference	Created by Jordi Tarrada 21/06/2018	Approved by	
Travesser potes G		Document type	Document status	
		Title Mòdul 1080	DWG No.	
		Rev.	Date of issue	Sheet 8/8