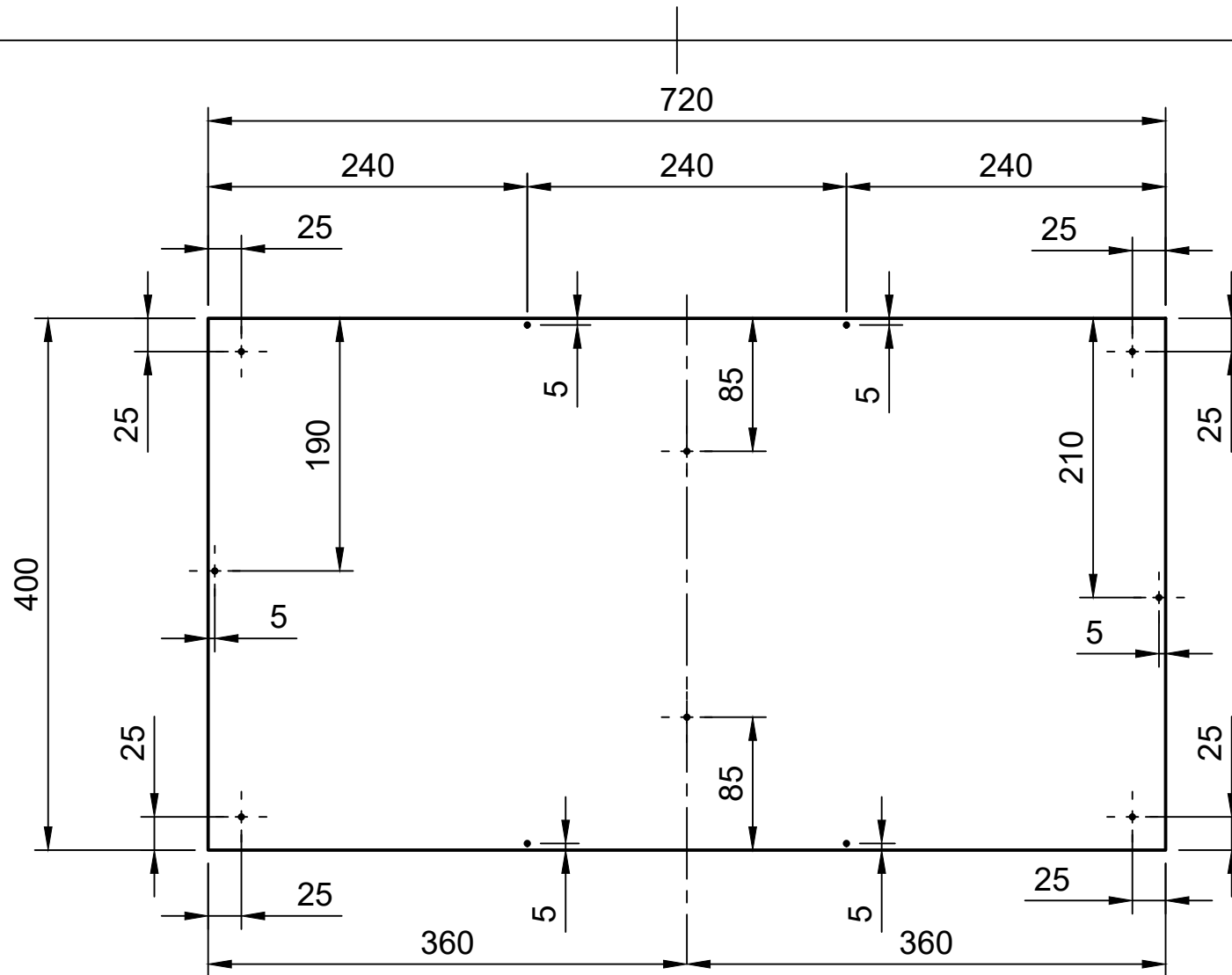


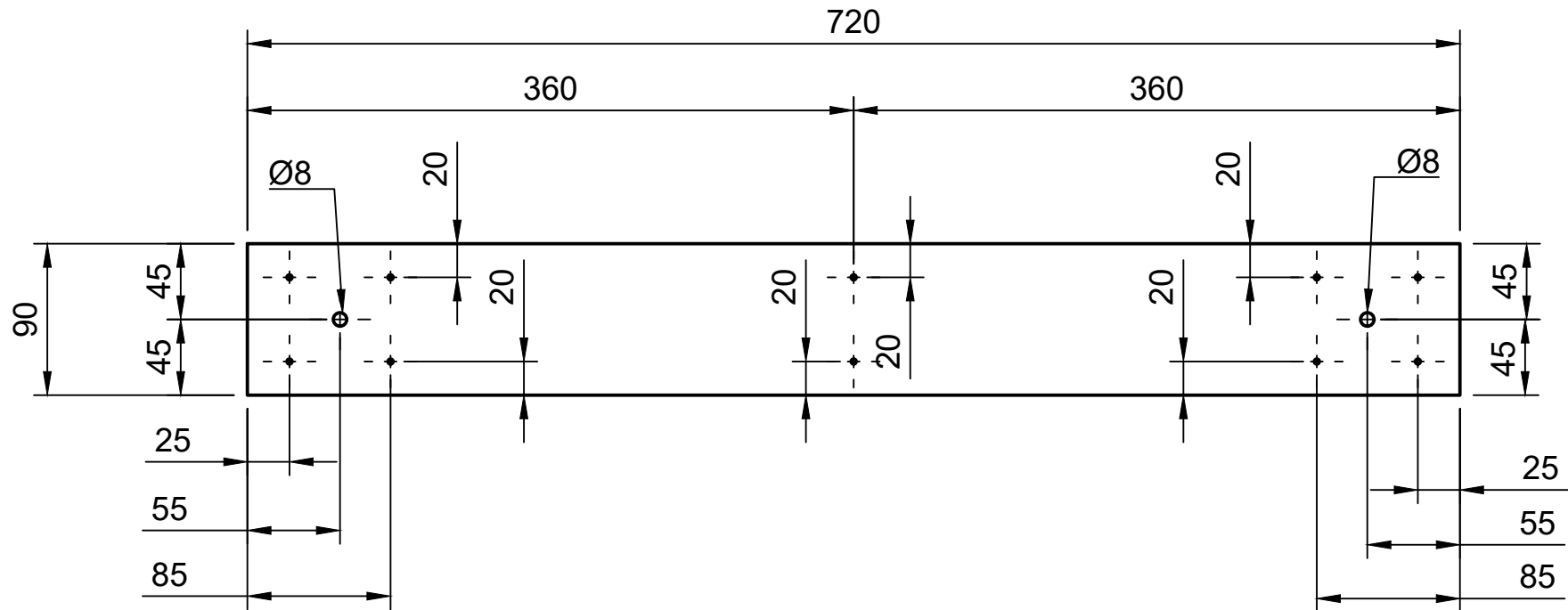
Dept.	Technical reference	Created by <b>Jordi Tarrada 21/06/2018</b>	Approved by	
<b>Conjunt muntat</b>		Document type	Document status	
		Title <b>Mòdul 720</b>	DWG No.	
		Rev.	Date of issue	Sheet <b>1/8</b>



Tots els forats Ø3.5

**Material:** tauler contraxapat 10 mm  
**Quantitat:** 1

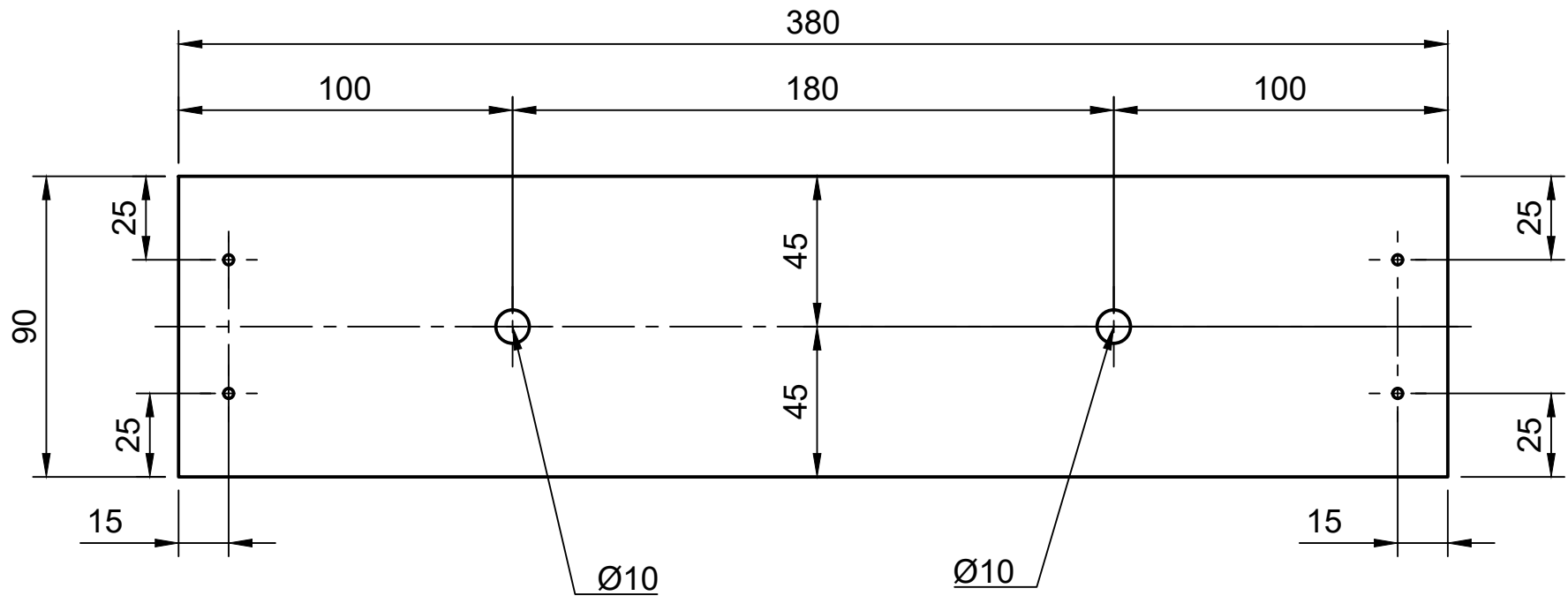
Dept.	Technical reference	Created by <b>Jordi Tarrada 21/06/2018</b>	Approved by
<p><b>A</b></p>	<p>Superfície muntatge vies</p>	Document type	Document status
		Title <b>Mòdul 720</b>	DWG No.
		Rev.	Date of issue



Tots els forats  $\varnothing 3.5$   
 Excepte els indicats.

**Material:** tauler contraxapat 10 mm  
**Quantitat:** 2

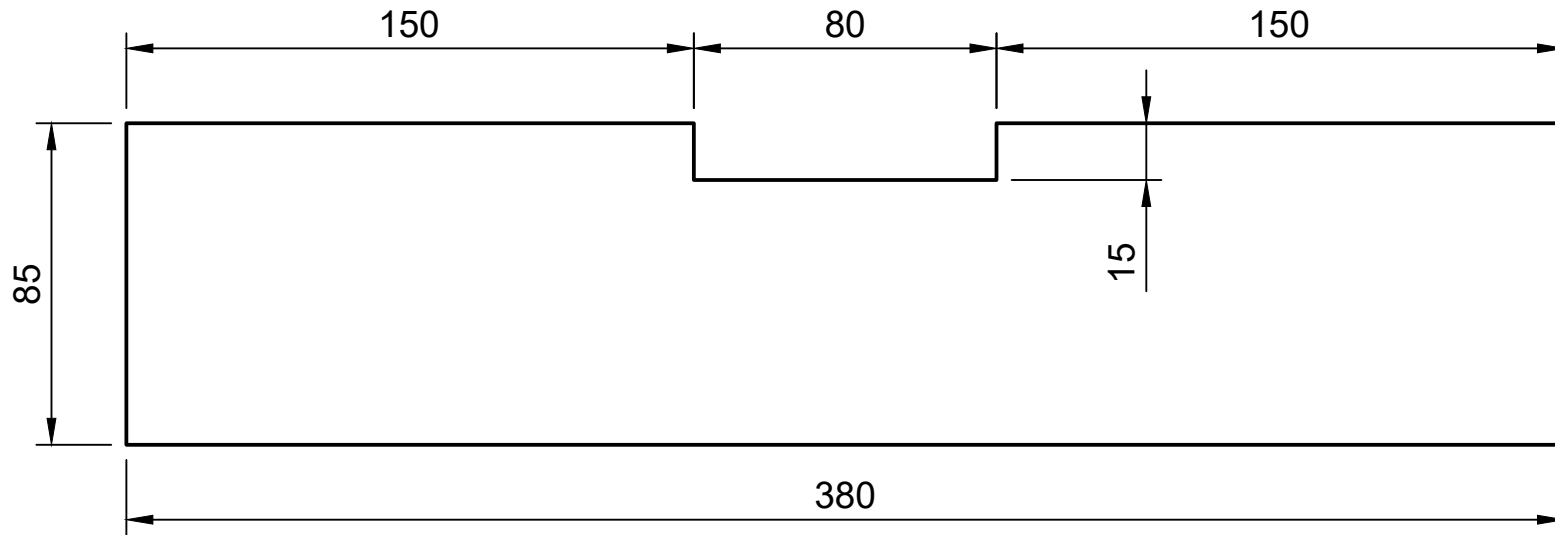
Dept.	Technical reference	Created by Jordi Tarrada 21/06/2018	Approved by
<b>Lateral Nord-Sud</b>  <b>B</b>	Document type	Document status	
	Title Mòdul 720	DWG No.	
	Rev.	Date of issue	Sheet 3/8



Tots els forats  $\varnothing 3.5$   
 Excepte els indicats.

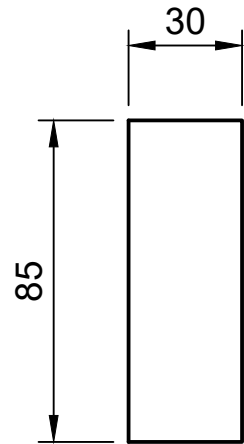
**Material:** tauler contraxapat 10 mm  
**Quantitat:** 2

Dept.	Technical reference	Created by Jordi Tarrada 21/06/2018	Approved by	
Lateral Est-Oest  <b>C</b>		Document type	Document status	
		Title Mòdul 720	DWG No.	
		Rev.	Date of issue	Sheet 4/8



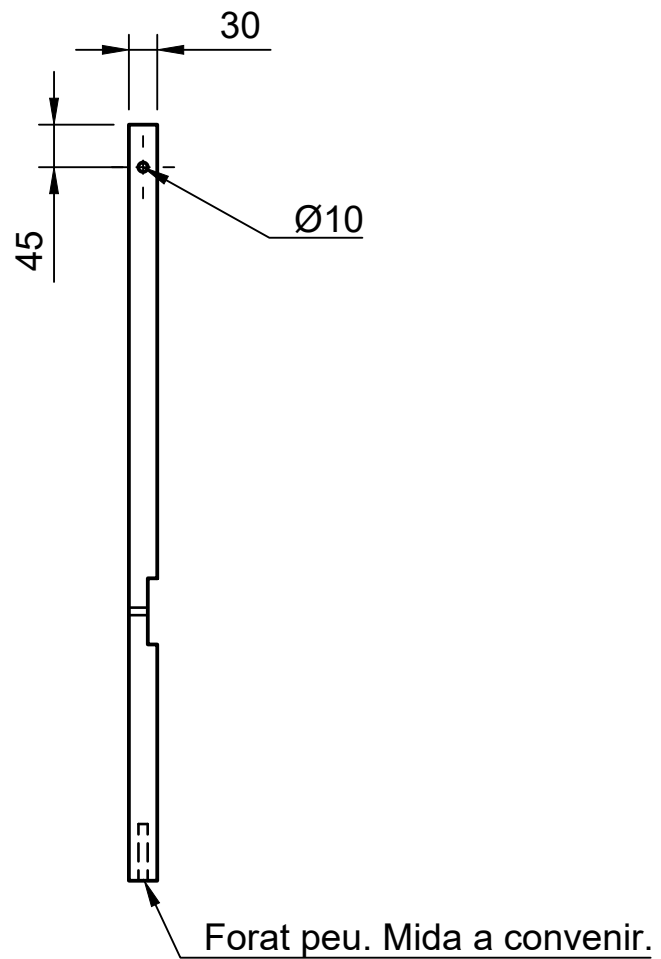
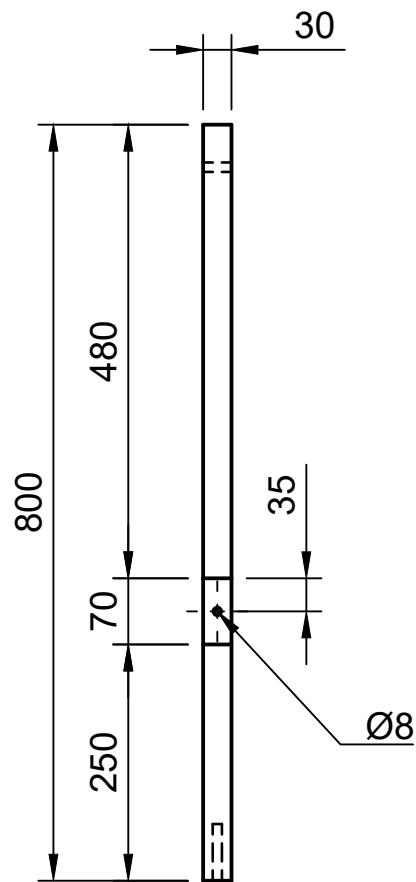
**Material:** tauler contraxapat 10 mm  
**Quantitat:** 1

Dept.	Technical reference	Created by <b>Jordi Tarrada</b> 21/06/2018	Approved by	
<b>Reforç interior</b>  <b>D</b>		Document type	Document status	
		Title <b>Mòdul 720</b>	DWG No.	
		Rev.	Date of issue	Sheet <b>5/8</b>



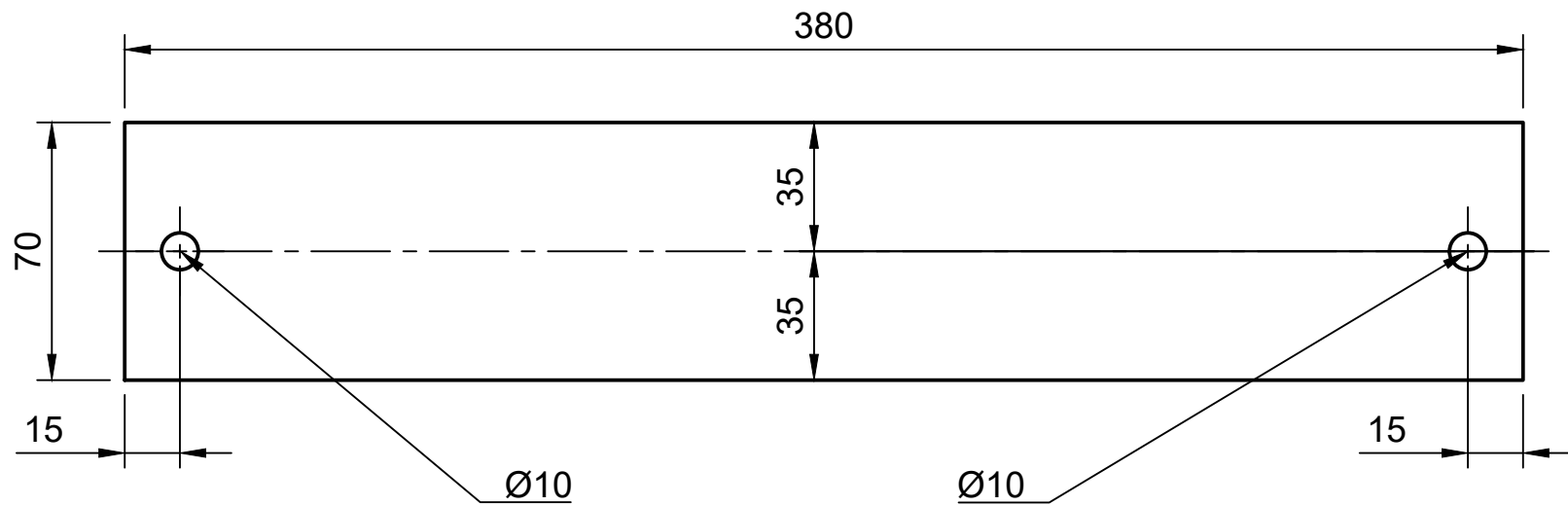
**Material:** llistó 30 x 30 mm  
**Quantitat:** 8

Dept.	Technical reference	Created by <b>Jordi Tarrada</b> 21/06/2018	Approved by	
<b>Reforç aresta caixa i          guia pota</b>  <b>E</b>		Document type	Document status	
		Title <b>Mòdul 720</b>	DWG No.	
		Rev.	Date of issue	Sheet <b>6/8</b>



**Material:** llistó 30 x 30 mm  
**Quantitat:** 4

Dept.	Technical reference	Created by <b>Jordi Tarrada</b> 21/06/2018	Approved by	
<b>Pota</b> <b>F</b>		Document type	Document status	
		Title <b>Mòdul 720</b>	DWG No.	
Rev.	Date of issue	Sheet <b>7/8</b>		



**Material:** tauler contraxapat 10 mm  
**Quantitat:** 2

Dept.	Technical reference	Created by Jordi Tarrada 21/06/2018	Approved by	
Travesser potes <b>G</b>		Document type	Document status	
		Title Mòdul 720	DWG No.	
		Rev.	Date of issue	Sheet 8/8