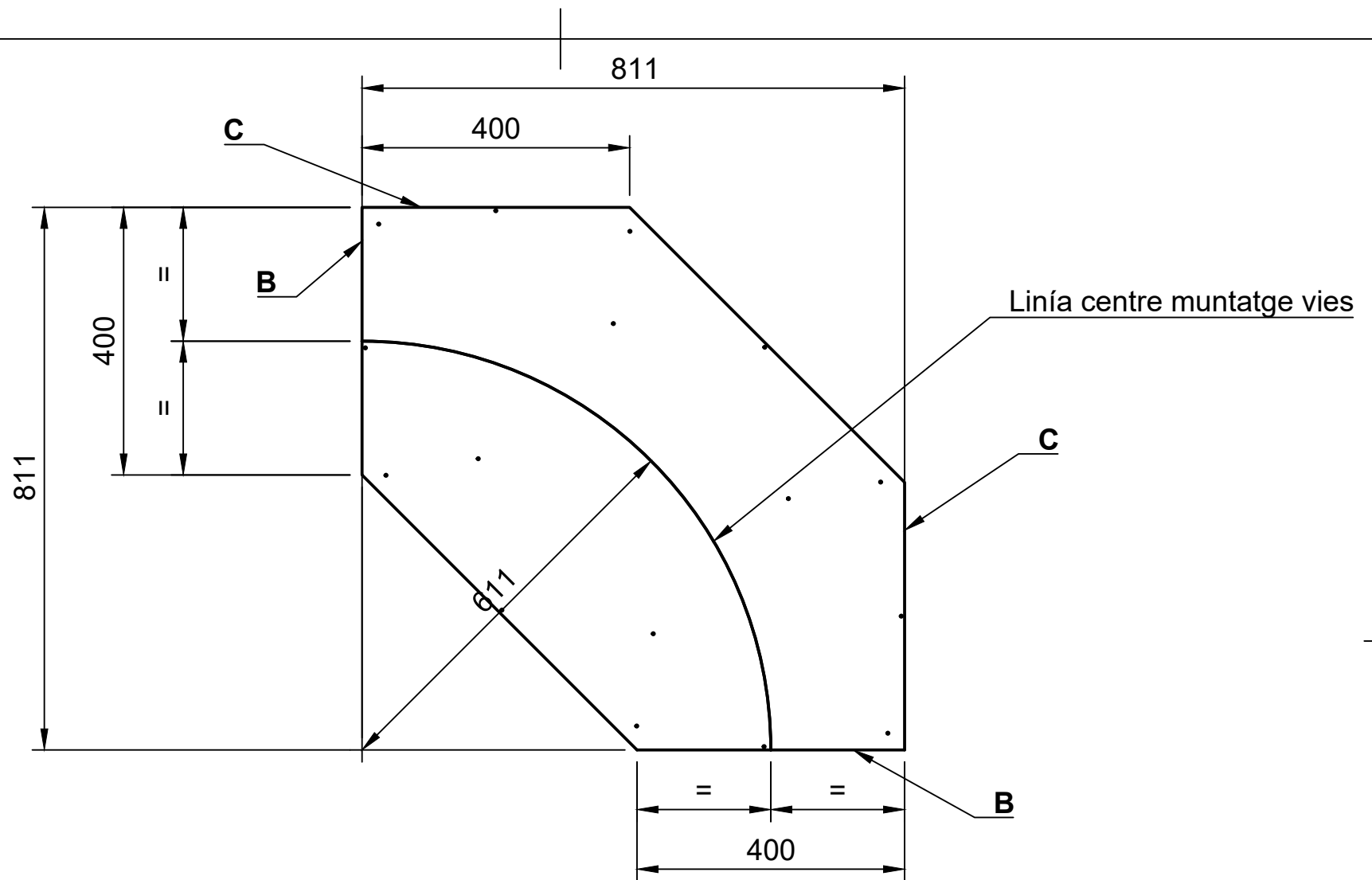


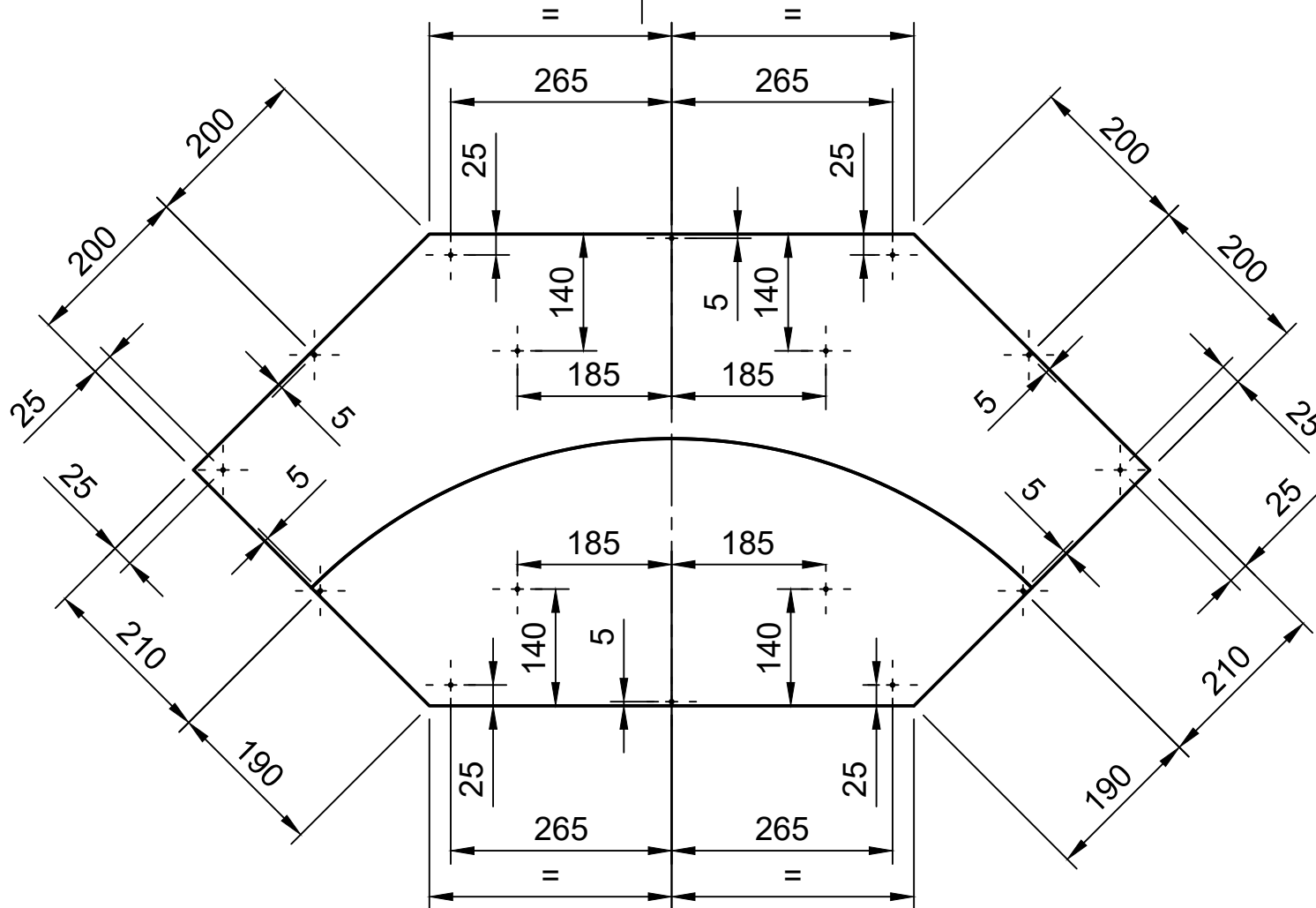
Dept.	Technical reference	Created by Jordi Tarrada 21/06/2018	Approved by	
Conjunt Muntat		Document type	Document status	
		Title Mòdul Corba	DWG No.	
		Rev.	Date of issue	Sheet 1/10



Tots els forats Ø3.5

Material: tauler contraxapat 10 mm
Quantitat: 1

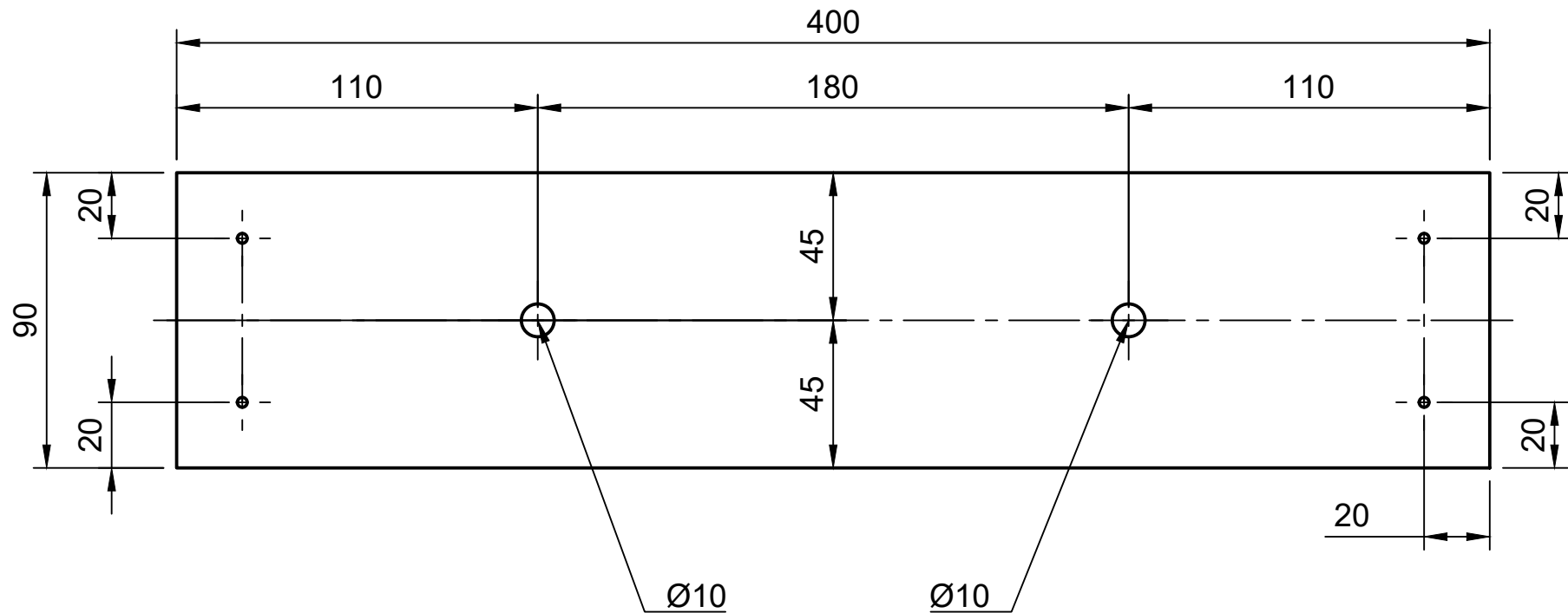
Dept.	Technical reference	Created by Jordi Tarrada 21/06/2018	Approved by
A	Superfície muntatge vies	Document type	Document status
		Title Mòdul Corba	DWG No.
		Rev.	Date of issue
			Sheet 2/10



Tots els forats Ø3.5

Material: tauler contraxapat 10 mm
Quantitat: 1

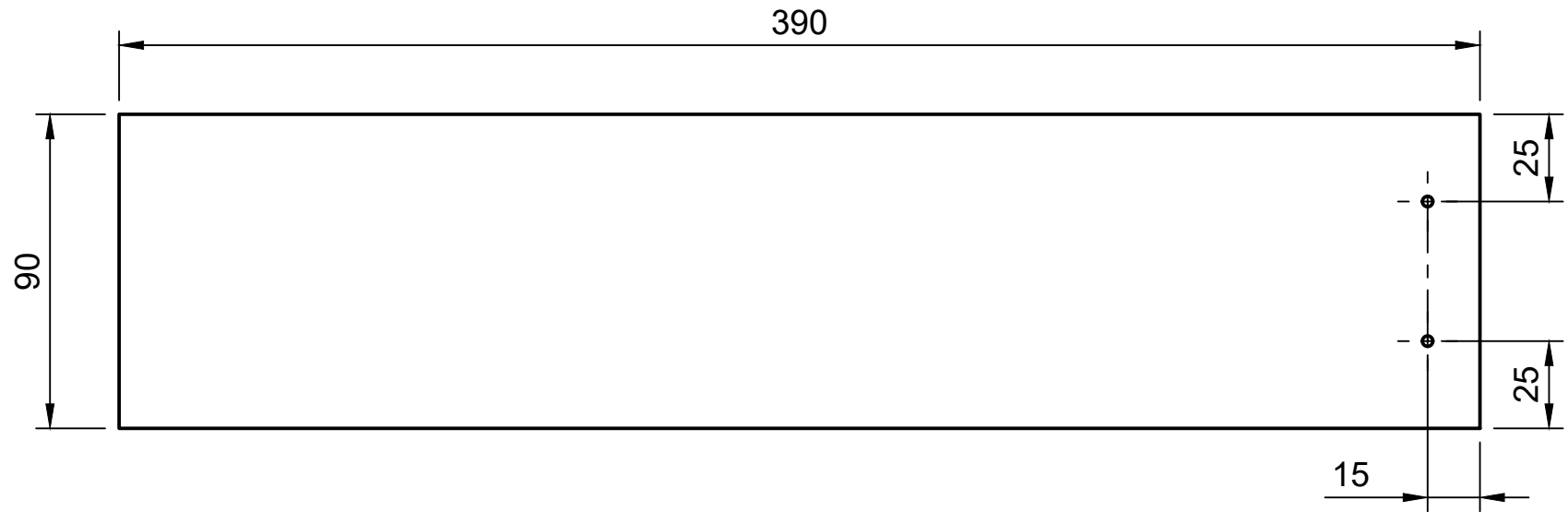
Dept.	Technical reference	Created by Jordi Tarrada 21/06/2018	Approved by	
		Document type	Document status	
		Title Mòdul Corba	DWG No.	
		Rev.	Date of issue	Sheet 3/10



Tots els forats $\varnothing 3.5$
 Excepte els indicats.

Material: tauler contraxapat 10 mm
Quantitat: 2

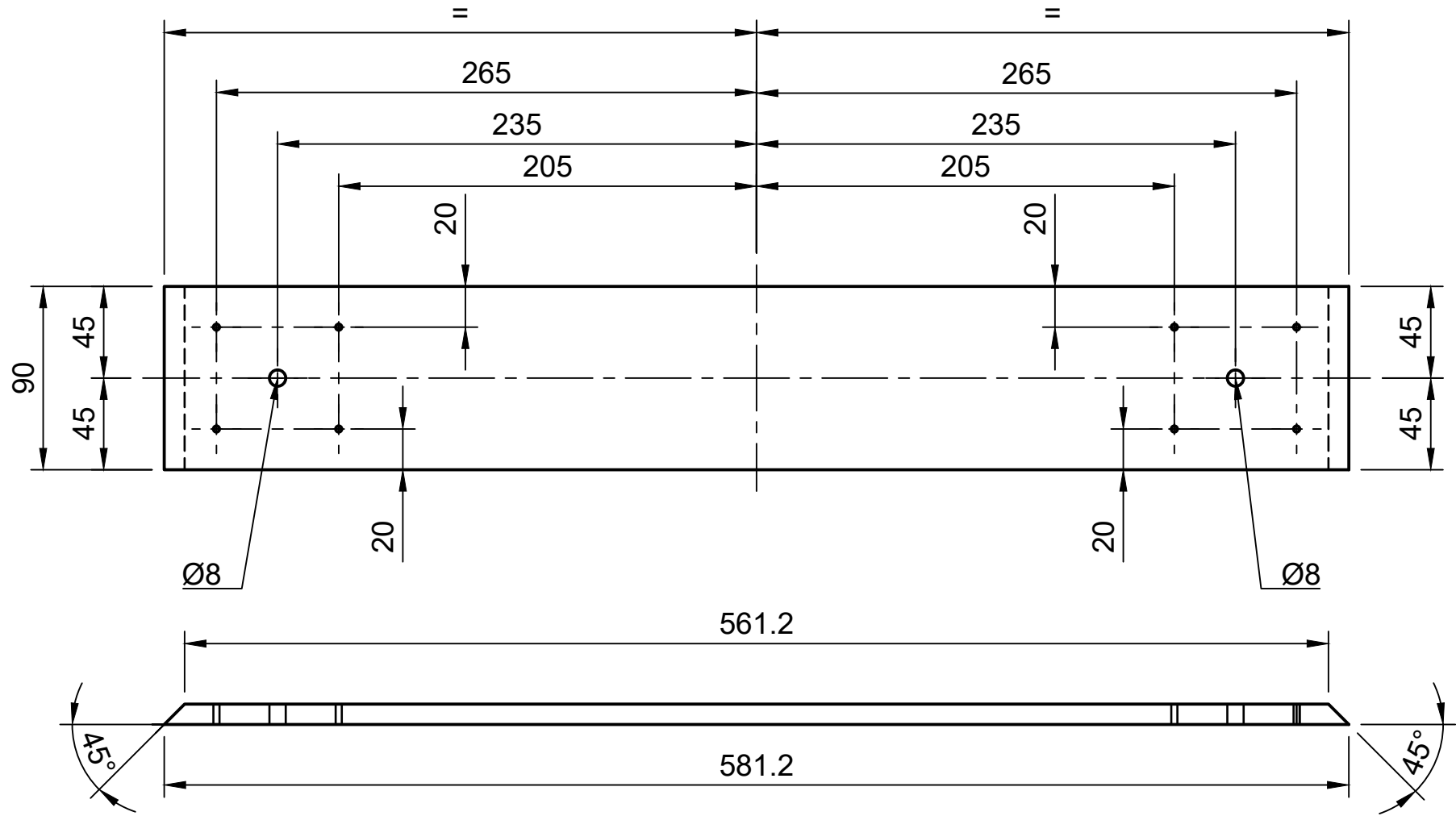
Dept.	Technical reference	Created by Jordi Tarrada 21/06/2018	Approved by	
Lateral connexió mòdul B		Document type	Document status	
		Title Mòdul Corba	DWG No.	
		Rev.	Date of issue	Sheet 4/10



Tots els forats $\text{Ø}3.5$

Material: tauler contraxapat 10 mm
Quantitat: 2

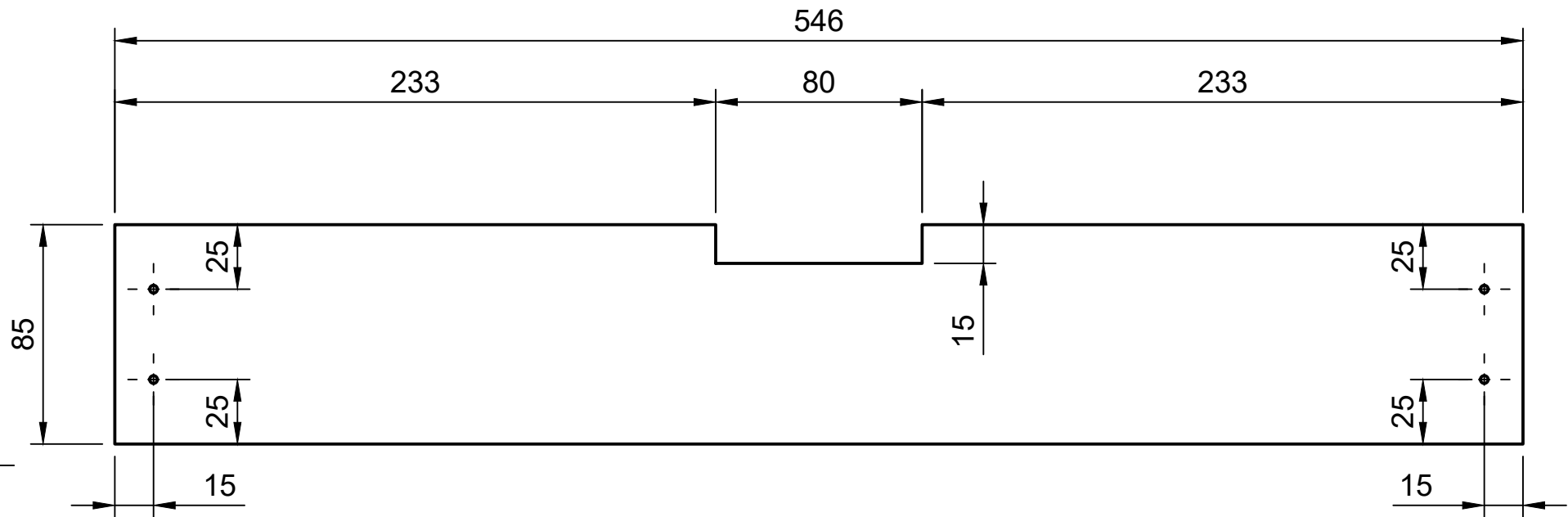
Dept.	Technical reference	Created by Jordi Tarrada 21/06/2018	Approved by	
Lateral C	Document type		Document status	
	Title Mòdul Corba		DWG No.	
	Rev.	Date of issue	Sheet 5/10	



Tots els forats Ø3.5
Excepte els indicats.

Material: tauler contraxapat 10 mm
Quantitat: 2

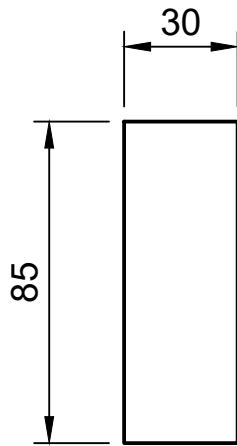
Dept.	Technical reference	Created by Jordi Tarrada 21/06/2018	Approved by
Lateral D		Document type	Document status
		Title Mòdul Corba	DWG No.
		Rev.	Date of issue
		Sheet 6/10	



Tots els forats Ø3.5

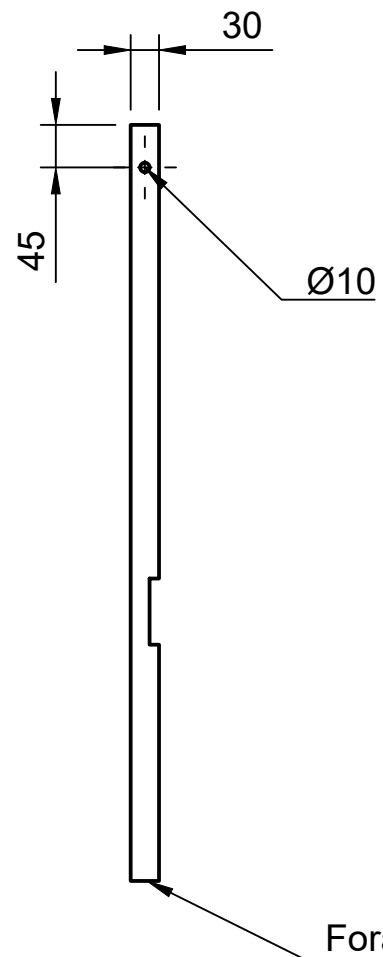
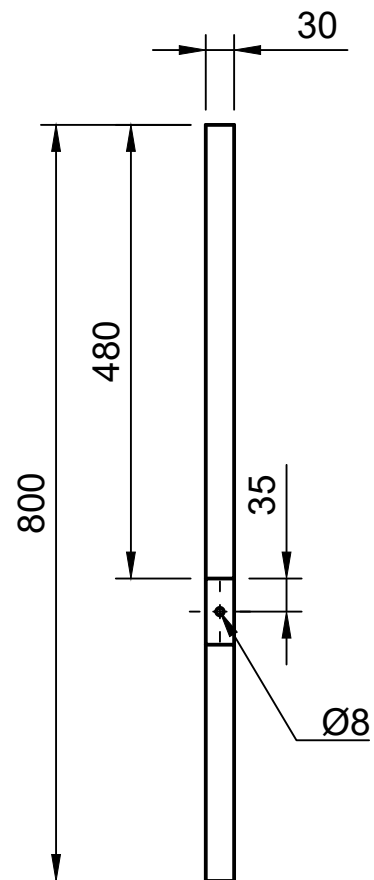
Material: tauler contraxapat 10 mm
Quantitat: 2

Dept.	Technical reference	Created by Jordi Tarrada 21/06/2018	Approved by	
Reforç interior E		Document type	Document status	
		Title Mòdul Corba	DWG No.	
		Rev.	Date of issue	Sheet 7/10



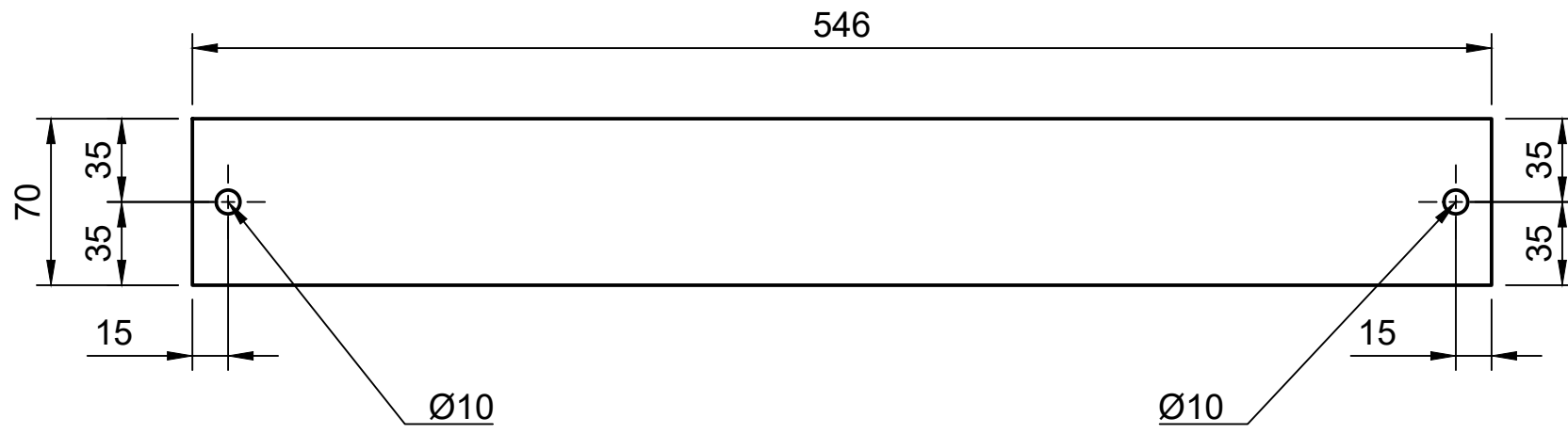
Material: llistó 30 x 30 mm
Quantitat: 8

Dept.	Technical reference	Created by Jordi Tarrada	21/06/2018		Approved by
Reforç aresta caixa i guia pota F		Document type	Document status		
		Title Mòdul Corba	DWG No.		
		Rev.	Date of issue	Sheet 8/10	



Material: llistó 30 x 30 mm
Quantitat: 4

Dept.	Technical reference	Created by Jordi Tarrada 21/06/2018	Approved by	
Pota G		Document type	Document status	
		Title Mòdul Corba	DWG No.	
Rev.	Date of issue	Sheet 9/10		



Material: tauler contraxapat 10 mm
Quantitat: 2

Dept.	Technical reference	Created by Jordi Tarrada 21/06/2018	Approved by	
Travesser potes H		Document type	Document status	
		Title Mòdul Corba	DWG No.	
		Rev.	Date of issue	Sheet 10/10